

CB-SS510-M SONAR DEPTH SENSOR MOUNT

INSTALLATION GUIDE

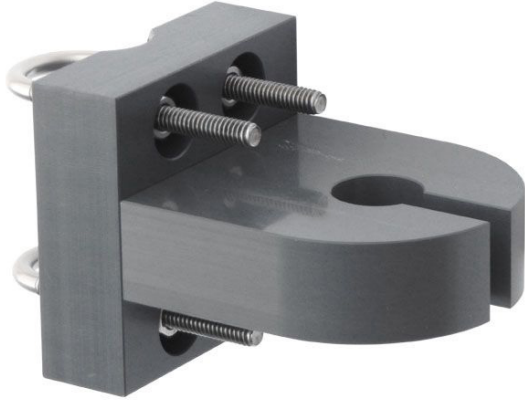


Figure 1: CB-SS510-M Sonar Depth Sensor Mount

Overview

The CB-SS510-M sonar depth sensor mount allows the Airmar EchoRange SS510 sonar sensor to be securely attached to the instrument cage of a CB-Series data buoy system.

What's Included

- (1) Cage mount bracket
- (1) Sensor mount bracket
- (2) 3/8" hex cap screws, 1-1/2"
- (2) 1/4" U-bolts
- (4) 1/4" Flat washers
- (4) 1/4" Lock washers
- (4) 1/4" Nylon nuts

Installation on Buoy Instrument Cage

- 1 Choose a location near the bottom of the cage to mount the Airmar SS510 sensor.
 - a. Ensure the location is unobstructed to prevent interference of the sensor beam.

- 2 Place the U-bolts onto an arm of the instrument cage and run them through the slots on the cage mount bracket.
 - a. Place the 1/4" flat and lock washers, and nylon nuts onto the legs of the U-bolt.
 - b. Use a 7/16" socket or hex driver to tighten.

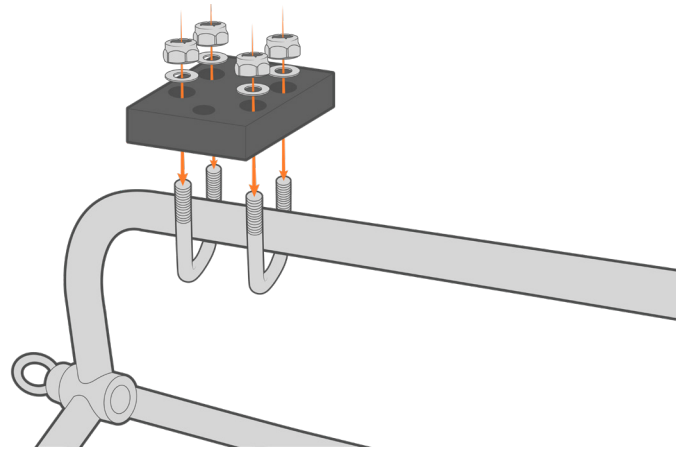


Figure 2: Mount the bracket to the instrument cage.

- 3 Place the SS510 into the sensor mount bracket and tighten using the provided nut.

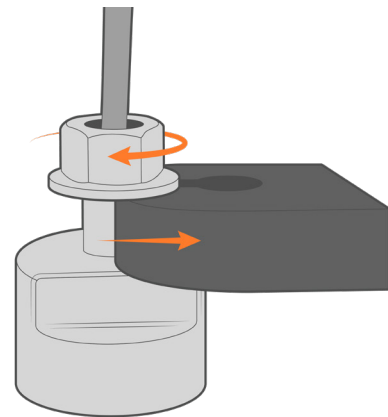


Figure 3: Mount the sonar onto the bracket.

- 4 Attach the sensor mount bracket to the cage mount bracket with the 3/8" hex cap screws
- a. Tighten securely with a 5/16" hex key.

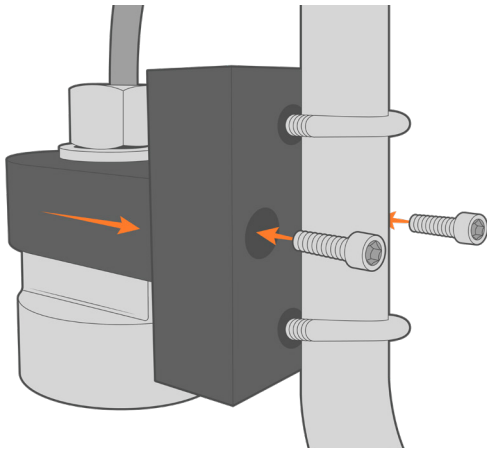


Figure 4: Attach the sensor bracket to the cage bracket.