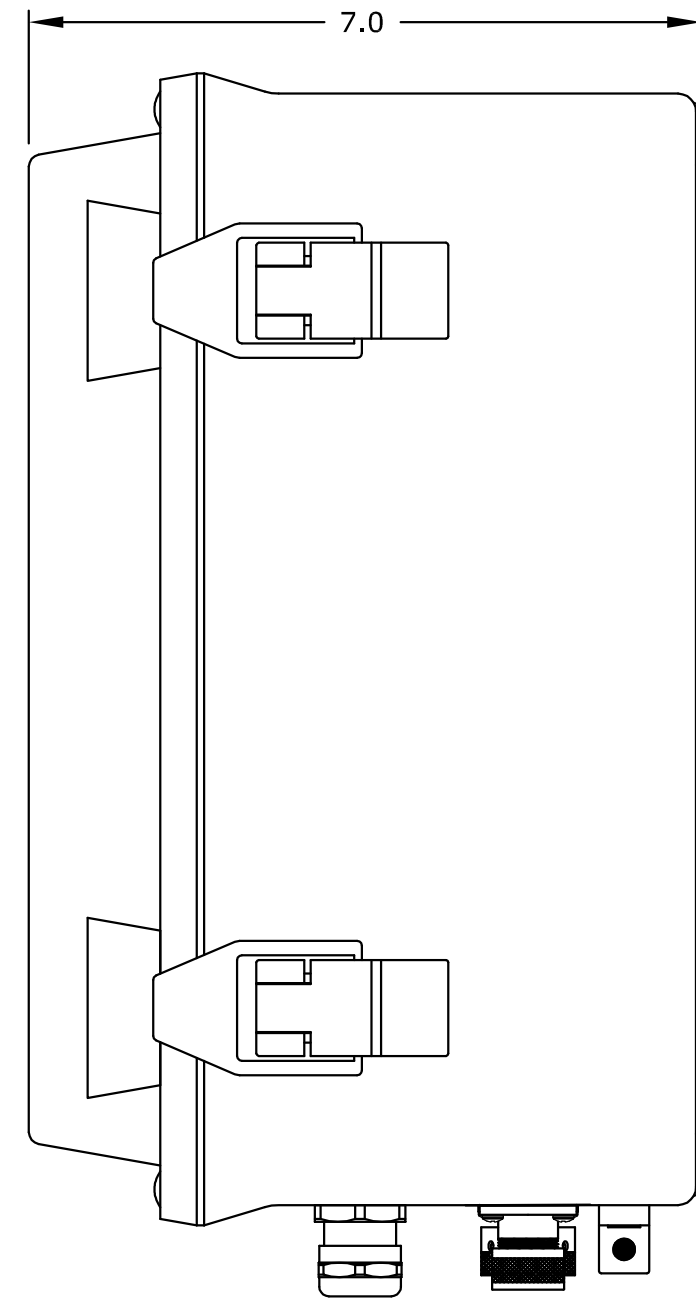


BACK



FRONT



SIDE

## 2100-iSIC DATA LOGGER DIMENSIONAL VIEWS

SCALE: 1:2



DRAWN BY: GTL/MDV

DATE: 10/26/11

SHEET: 1 of 1

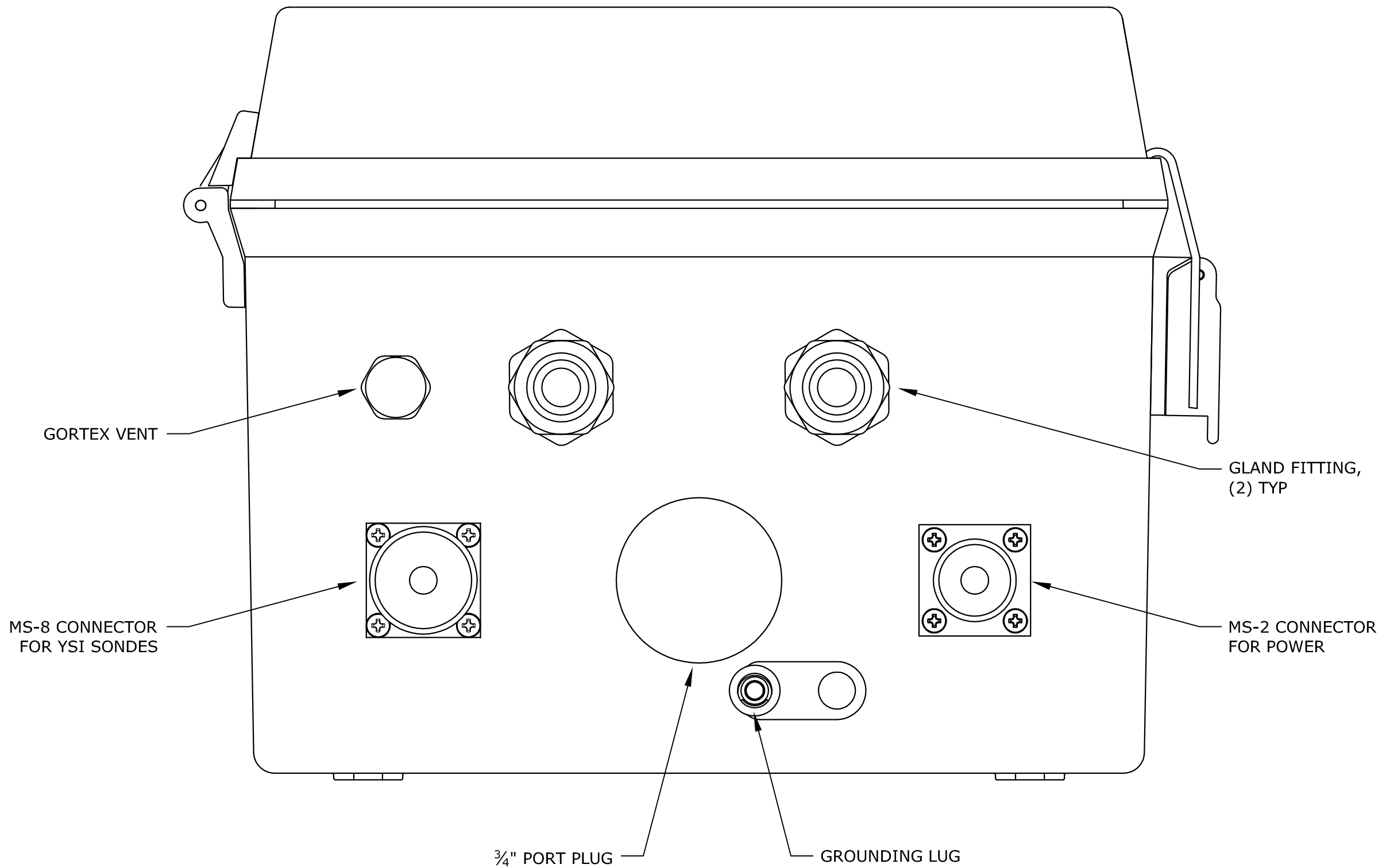
ITEM: NEXSENS 2100-iSIC PHONE DATA LOGGER

SHEET TITLE: FRONT, BACK AND RHS DIMENSIONAL VIEWS

DRAWING NUMBER: NEX044

REV: 02

This drawing and the information thereon is the property of NexSens Technology. All unauthorized use and reproduction is prohibited. <www.NexSens.com>

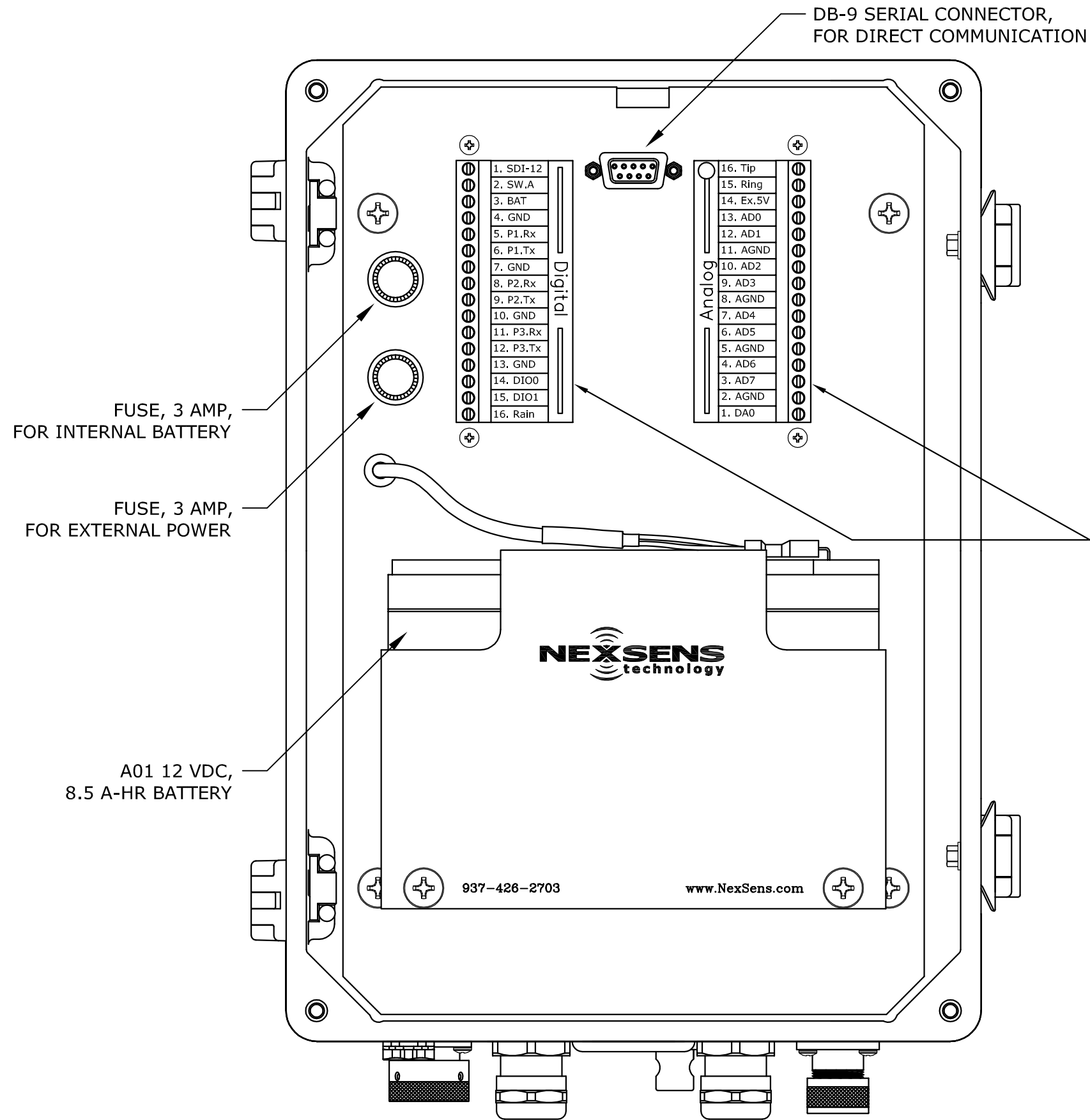


# 2100-iSIC DATA LOGGER CONNECTOR LAYOUT

SCALE: 1:1



ITEM:	NEXSENS 2100-iSIC PHONE DATA LOGGER		
	DRAWN BY:	GTL/MDV	
	DATE:	10/26/11	
SHEET TITLE:	BOTTOM VIEW - CONNECTOR LAYOUT		
DRAWING NUMBER:	NEX045	REV:	02
		SHEET:	1 of 1
<small>This drawing and the information therein is the property of NexSens Technology. All unauthorized use and reproduction is prohibited. &lt;www.NexSens.com&gt;</small>			



Digital Strip	
SDI-12	Connection for SDI-12 Sensors
SW.A	12 V, 200 mA Power Switch
BAT	Pass-Through Battery Power Pin (Fused)
GND	Digital Ground
P1.Rx	RS-232 Receive Pin (Port 1) - Input
P1.Tx	RS-232 Transmit Pin (Port 1) - Output
P2.Rx	RS-232 Receive Pin (Port 2) - Input
P2.Tx	RS-232 Transmit Pin (Port 2) - Output
P3.Rx	RS-485A - Connection for RS-485 Sensors
P3.Tx	RS-485B - Connection for RS-485 Sensors
DIO0	General Purpose Digital I/O
DIO1	General Purpose Digital I/O
Rain	Tipping Bucket Rain Gauge Input
Analog Strip	
Tip	Telephone Wire Connection Pin
Ring	Telephone Wire Connection Pin
Ex.5V	5 V Excitation Voltage
AD0 - AD7	Analog Inputs
AGND	Analog Ground
DA0	Digital to Analog Output

**NOTE:** TELEMETRY VIA STANDARD TELEPHONE LINES IS IMPLEMENTED THROUGH DIRECT WIRING TO THE TIP AND RING TERMINALS ON THE ANALOG STRIP

## 2100-iSIC DATA LOGGER INTERNAL COMPONENTS

SCALE: 1:1.5

DRAWN BY: GTL/MDV

DATE: 10/26/11

SHEET: 1 of 1

ITEM: NEXSENS 2100-iSIC PHONE DATA LOGGER

SHEET TITLE: FRONT VIEW - INTERNAL COMPONENTS

DRAWING NUMBER: NEX046  
REV: 02  
This drawing and the information thereon is the property of NexSens Technology. All unauthorized use and reproduction is prohibited. <www.NexSens.com>